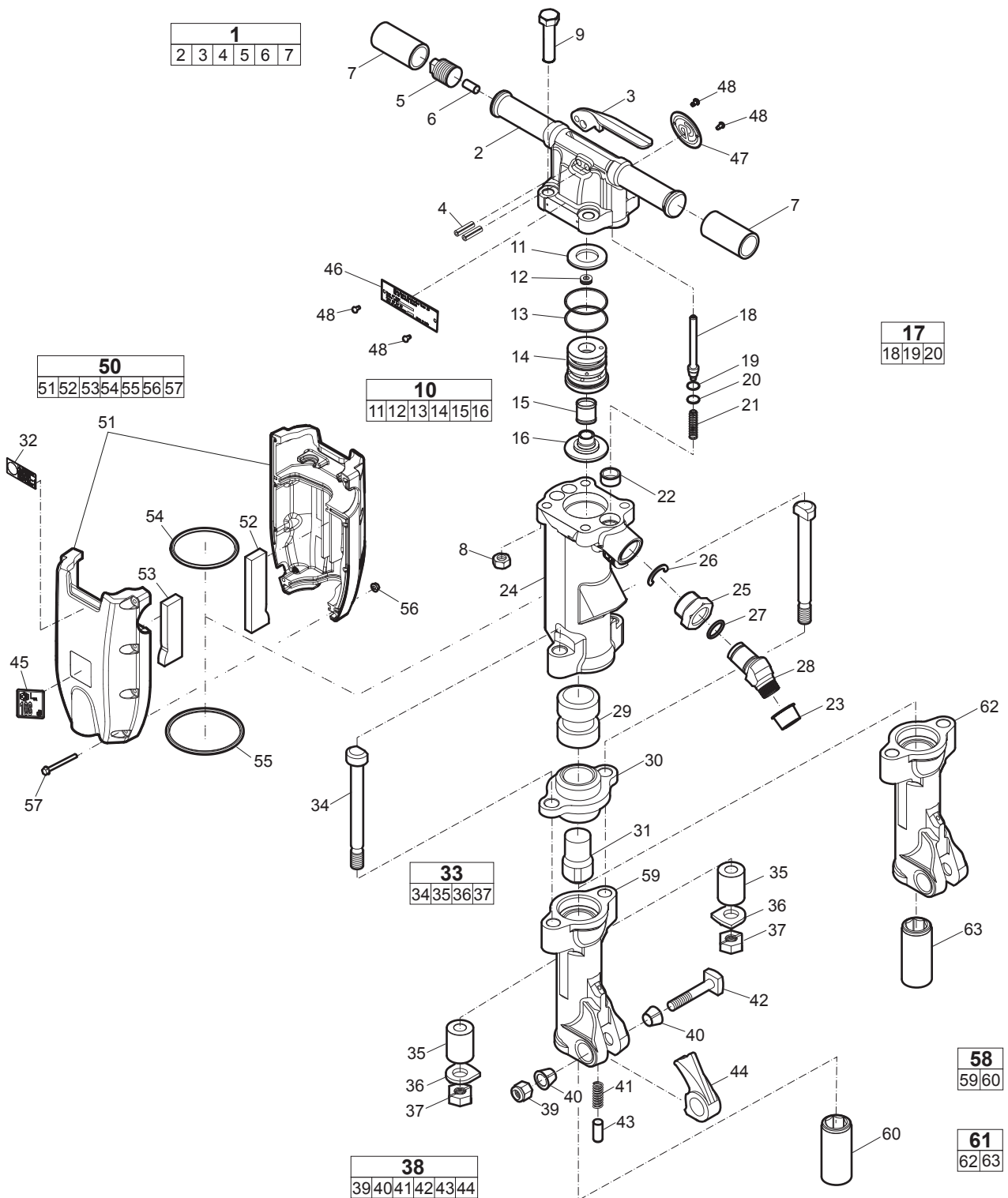


# CP 1260 S



No.	Description	Remark	Quantity	Part number
<b>1(2-7)</b>	<b>Backhead, complete</b>		1	3303 0053 83
2	Backhead		1	-
3	Trigger		1	F814 725
4	Spring pin		2	R133 433
5	Plug - oil		1	R075 031
6	Oil wick		1	C036 901
7	Rubber grip		2	3303 0052 76
8	Nut	Hexagon M14	4	0261 1099 53
9	Screw	M14 x 60 8.8	4	0147 1959 60
<b>10(11-16)</b>	<b>Valve case, complete</b>		1	3303 0053 84
11	Washer	PU	1	3303 0053 11
12	Plug - valve case		1	P009 876
13	O-ring	ø55.56 x 2.38 mm ø2.19 x 0.09 in.	2	R049 854
14	Valve case		1	R047 958
15	Valve		1	3303 0053 27
16	Lid - valve case		1	R047 960
<b>17(18-20)</b>	<b>Valve - throttle, complete</b>		1	R092 894
18	Valve - throttle		1	-
19	Seal - throttle valve		1	R098 368
20	Retaining ring - throttle valve		1	R098 369
21	Spring - throttle valve		1	R005 717
22	Seal - cylinder		1	R047 965
23	Plug	Transport protection. Remove before use.	1	-
24	Cylinder		1	3303 0052 71
25	Nut - swivel		1	3310 1044 00
26	Lock washer		1	3310 1059 00
27	O-ring		1	0663 2126 00
28	Swivel		1	3303 0050 12
29	Piston		1	R047 967
30	Bushing - anvil block		1	R047 966
31	Block - anvil		1	R085 260
32	Label	Safety	1	3310 1602 00
<b>33(34-37)</b>	<b>Side bolt, complete</b>		1	3303 0053 85
34	Bolt - fronthead		2	R047 970
35	Buffer	PU	2	3303 0053 12
36	Lock washer - fronthead nut		2	R090 584
37	Nut - fronthead bolt		2	R005 721
<b>38(39-44)</b>	<b>Latch, complete</b>		1	3303 0053 88
39	Nut	Nyloc	1	P008 999
40	Bushing - retainer latch		2	R076 562
41	Spring - plunger		1	R086 982
42	Bolt - latch		1	R076 853
43	Plunger - latch		1	R092 497
44	Latch - retainer		1	3303 0053 65
45	Label	Sound power level 110 dB	1	H418 3044
46	Data plate		1	-
47	Product label	"CP"	1	3303 0053 10
48	Drive screw		4	P081 333

No.	Description	Remark	Quantity	Part number
<b>50(51-57)</b>	<b>Muffler, complete</b>		1	3303 0053 86
51	Muffler		1	3303 0053 19
52	Separation wall		1	3303 0052 79
53	Separation wall		1	3303 0052 80
54	O-ring	ø94.1 x 5.7 mm ø3.70 x 0.22 in.	1	0663 2146 00
55	O-ring	ø109.1 x 5.7 mm ø4.30 x 0.22 in	1	0663 2149 00
56	Flange nut		8	9232 0207 50
57	Flange screw		8	0147 3000 32
<b>58(59-60)</b>	<b>Fronthead, complete</b>		1	3303 0053 91
59	Fronthead	Hexagon, 32 mm Hexagon, 1¼ in.	1	-
60	Bushing - fronthead	Hexagon, 32 mm Hexagon, 1¼ in.	1	R040 635
<b>61(62-63)</b>	<b>Fronthead, complete</b>		1	3303 0053 92
62	Fronthead	Hexagon, 28 mm Hexagon, 1¼ in.	1	-
63	Bushing - fronthead	Hexagon, 28 mm Hexagon, 1¼ in.	1	R090 122