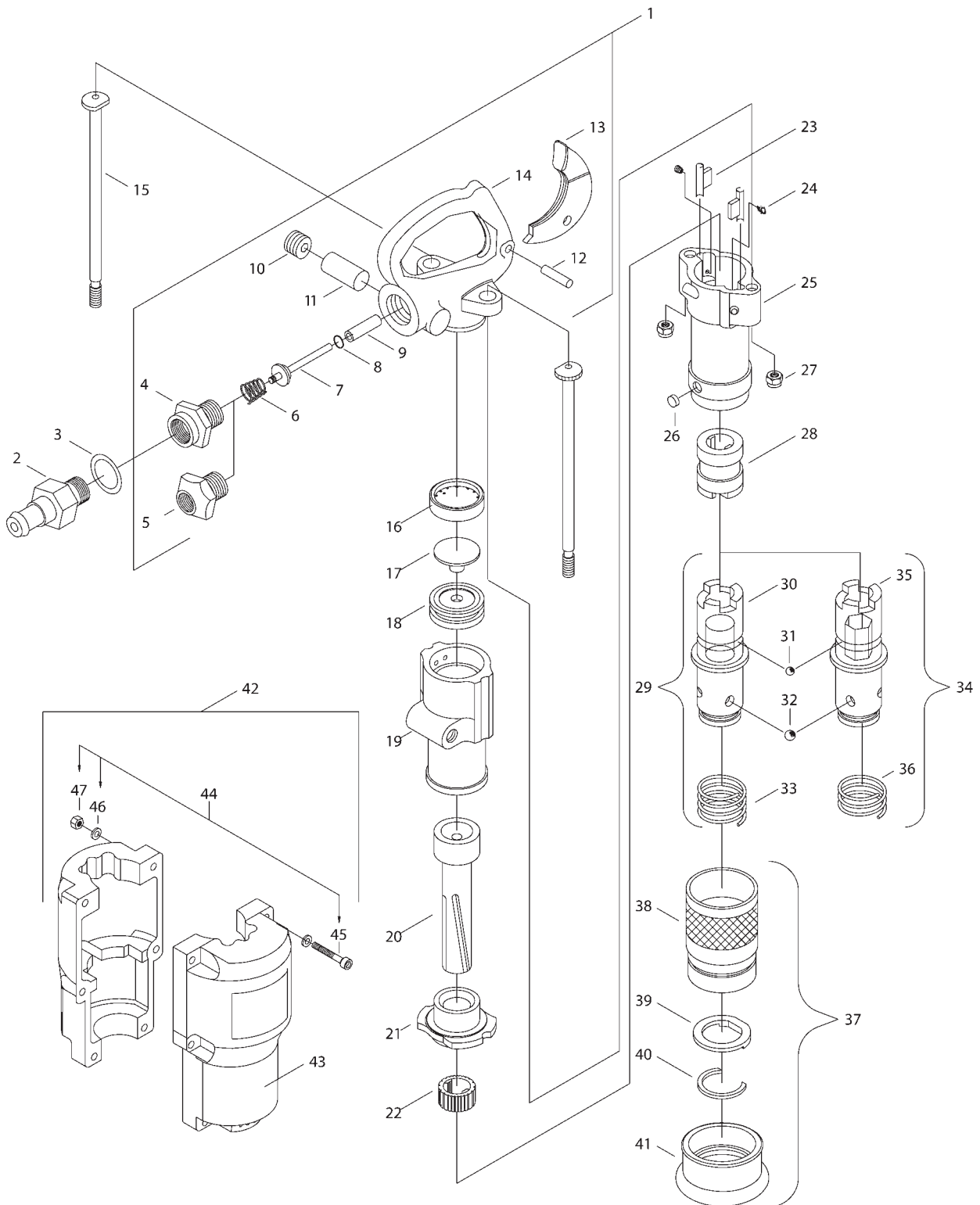


CP 0009 C, CS, ES, AC



No.	Ordering No.	Quantity	Description
1	F034496	1	Handle complete (Includes item No.4, 5, 6, 7, 10, 11, 12 & 13) (CP 0009 C, CS & ES)
2	F064695	1	Hose tail (CP 9C,CS & ES)
3	F064696	1	Gasket (CP 9C, CS & ES)
4	F064697	1	Air inlet bushing - 3/8" BSP collared head (CP 9C, CS & ES)
5	R085893	1	Air inlet bushing - 3/8" NPTF conical head (CP 0009AC)
6	R085596	1	Throttle valve spring
7	R086329	1	Throttle valve
8	R086098	1	O-ring (Special)
9	R085599	1	Throttle valve bushing
10	C077941	1	Oil plug
11	R085895	1	Oil chamber felt
12	A043627	1	Throttle lever pin
13	F027853	1	Throttle lever
14		1	Handle (Includes item No. 8 & 9)
15	F034249	2	Through bolt
16	R085896	1	Rear valve seat
17	R085897	1	Valve
18	R085898	1	Front valve seat
19	R085886	1	Cylinder
20	F816122	1	Piston
21	R085887	1	Cylinder bushing
22	F816123	1	Ratchet ring
23	F034066	2	Pawl
24	R085890	2	Pawl spring
25	R136592	1	Fronthead
26	F061888	1	Ball retainer plug
27	S013073	2	Through bolt nut
28	R085900	1	Chuck sleeve
29	Z8366412	1	Round chuck complete (Includes item No.30, 31, 32 & 33)
30	F826892	1	Chuck - Round (CP0009C, CS & AC)
31	Z8767412	17	Chuck retainer ball (Only available as set incl. 17 balls)
32	Z8768412	4	Steel retainer ball (only available as set incl.4 balls)
33	R086605	1	Retainer sleeve spring
34	Z8368412	1	Hex chuck complete (Includes item Nos. 31,32,35 & 36)
35	F816159	1	Chuck (CP 0009 ES)
36	F816162	1	Retainer sleeve spring
37	Z8375412	1	Retainer sleeve (Includes item No.38, 39, 40 & 41)
38		1	Retainer
39	F826683	1	Retainer plate
40	F826893	1	Retainer ring
41	F815343	1	Dust excluder
42	F826972	1	Muffler complete (Includes item Nos.43, 45, 46 & 47) (Supplied with CP0009CS & ES)
43		1	Muffler
44	Z3631412	1	Muffler Screw Set (Includes item No.45, 46 & 47)
45		6	Capscrew
46		12	Washer
47		6	Nut