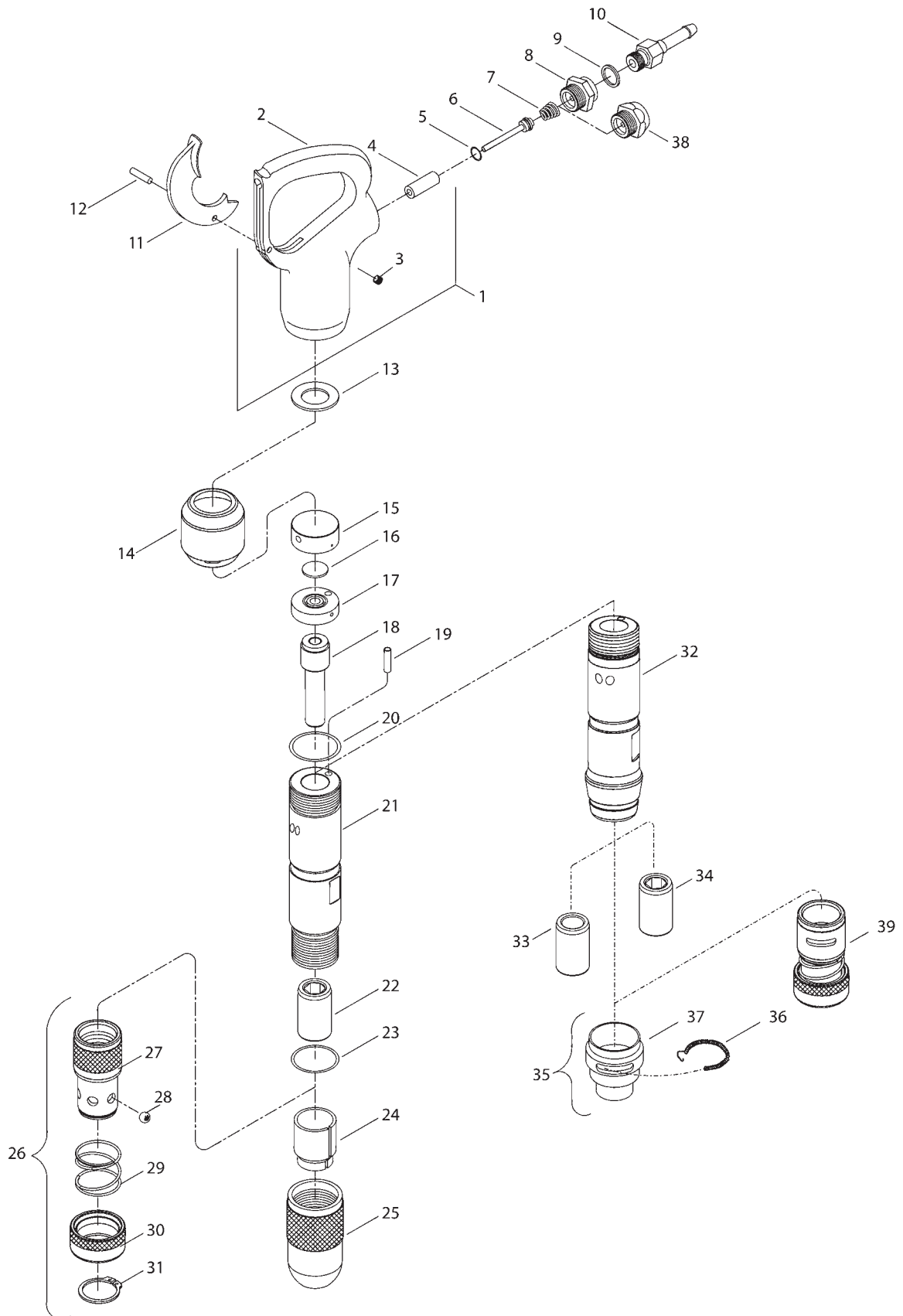


CP 0012 H19, 2R, 2H



No.	Ordering No.	Quantity	Description
1	Z8360858	1	Handle complete (Includes item No. 2, 3 & 4)
2		1	Handle
3	C102507	1	Plug - 1/16 x 27 NPTF
4		1	Bushing - Throttle valve
5	Q0132858	1	O-ring - Throttle valve
6	D3182858	1	Throttle valve
7	R085596	1	Spring - Throttle valve
8	F064697	1	Air inlet bushing (BSP)
9	F064696	1	Gasket - hose tail
10	F064695	1	Hose tail (3/8" BSP)
11	F027853	1	Lever - Throttle
12	A043627	1	Pin - Throttle lever
13	Q4204858	2	Washer 1.0 mm
14	H3740858	1	Muffler
15	Z3803858	1	Valve housing
16	D7368858	1	Main valve
17	D5090858	1	Lower valve lid
18	D1579858	1	Piston
19	D7288858	1	Pin - Dowel (Pipe)
20	H0359858	1	O-ring (Cylinder)
21		1	Cylinder
22	D8389858	1	Guide bush (19 mm Hex. x 50)
23	H2228858	1	Retainer lock ring (dia. 39.2 x 3 mm)
24	H2303858	1	Buffer
25	C8788859	1	Retainer
26	Z8389857	1	Retainer complete (Ball type screw - on) (Optional)
			(Includes item No 27, 28, 29, 30, 31 & 32)
27		1	Retainer
28		6	Chuck retainer ball (Only available as set Z8754857 incl. 6 balls)
29	H3437857	1	Spring
30		1	Retainer sleeve
31	H3275857	1	External circlip
32		1	Cylinder (for spring type retainer)
33	P001550	1	Bushing - Round
34	P001551	1	Bushing - Hexagon
35	P107243	1	Sleeve - Retainer (Includes item No. 36 & 37)
36	P070994	1	Spring - Lock coil
37		1	Sleeve - Retainer
38	R085893	1	Air inlet bushing (NPTF)
39		1	Ball type retainer, US-Standard (Optional)