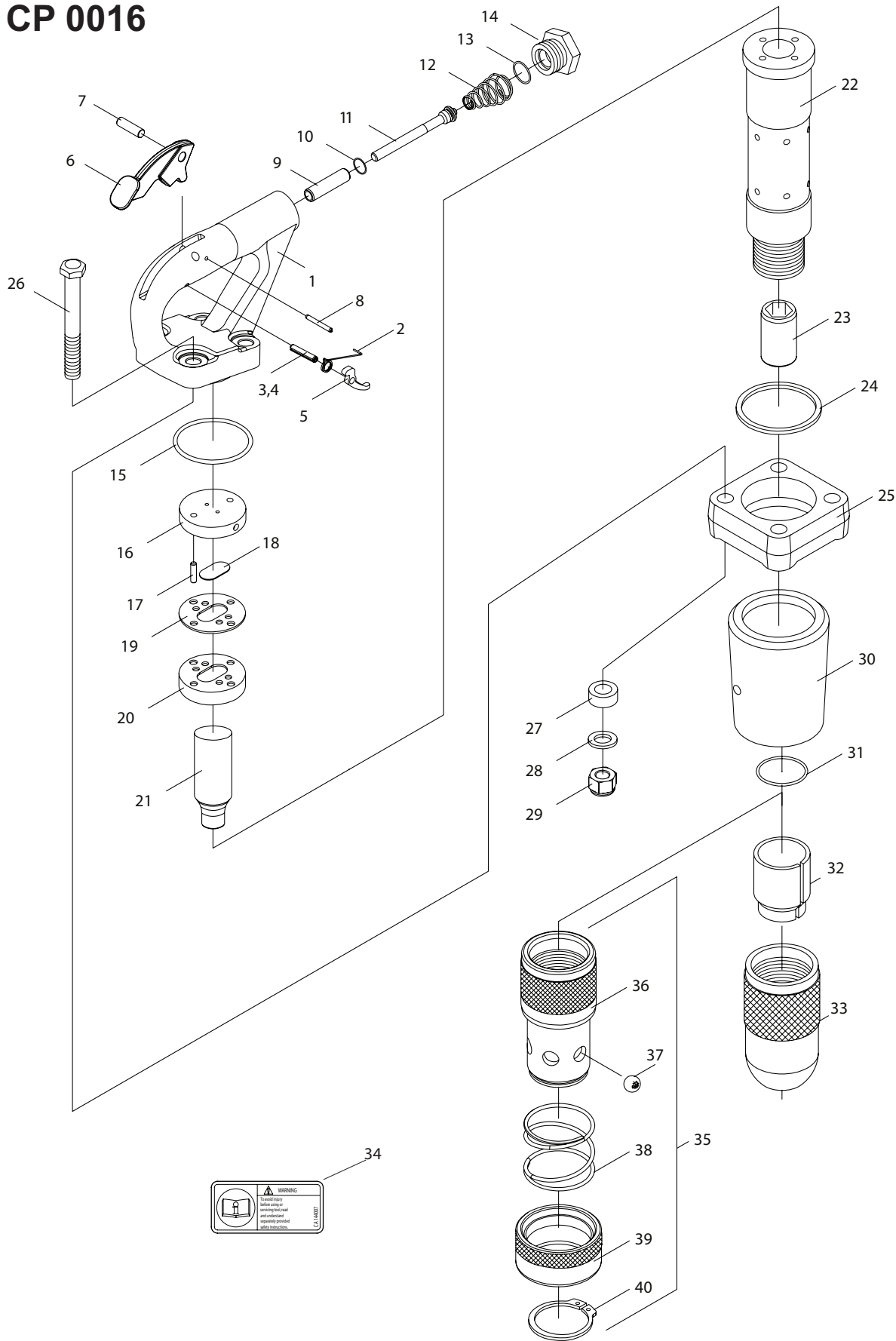


CP 0016



CP 0016 Chipping Hammer

FROM SERIAL NUMBER: 04190U156N

No.	Ordering No.	Quantity	Description
1	Z8342857	1	Handle (includes index number 9)
2	R157956	1	Lock-off spring
3	R158137	1	Pin-lock-off trigger (5/32")
4	R158138	1	Pin-lock-off trigger (3/32")
5	R157955	1	Lock-off trigger
6	R157990	1	Lever
7	A043627	1	Pin - lever
8	G071660	1	Pin - stop (1/8")
9	—	1	Bush-throttle valve
10	R138140	1	O-ring (throttle valve)
11	R157957	1	Throttle valve (includes index number 10)
12	R157960	1	Spring-throttle valve
13	C046471	1	O-ring (air Inlet bushing)
14	F826645	1	Air inlet bushing
15	C116352	1	O-ring
16	P071350	1	Lid - upper valve case
17	A041797	2	Pin - dowel
18	P071358	1	Valve
19	P071352	1	Case - valve
20	P071351	1	Lid - lower valve case
21	P157919	1	Piston - 3" stepped Ø
22	—	1	Cylinder
23	P157918	1	Bushing -19 x 50 hex
24	R157952	1	Ring - clamp
25	R157951	1	Flange - cylinder
26	R157954	4	Bolt
27	R155421	4	Bumper
28	R158143	4	Washer
29	R157953	4	Lock nut
30	P155535	1	Muffler
31	H2228858	1	Retainer lock ring (dia. 39.2 x 3mm)
32	H2303858	1	Buffer
33	C8788859	1	Retainer
34	CA144007	1	Safety label
Option			
35	Z8389857	1	Retainer assembly (option) (includes index numbers 35, 36, 37, 38 and 39)
36	—	1	Retainer
37	Z8754857	1	Steel ball (1 set consists of 6 balls)
38	H3437857	1	Spring
39	—	1	Retainer sleeve
40	H3275857	1	External circlip