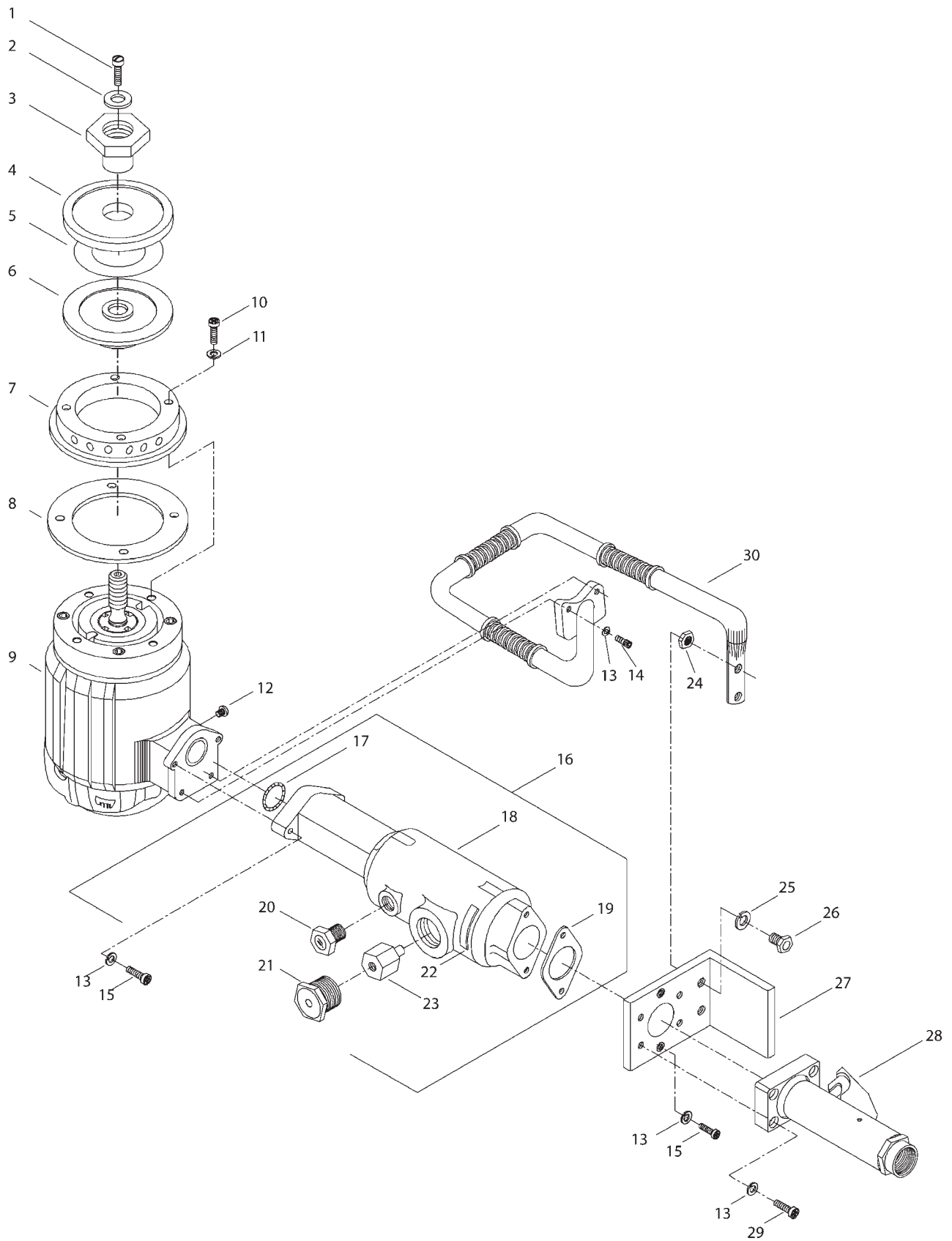


# CP 0044

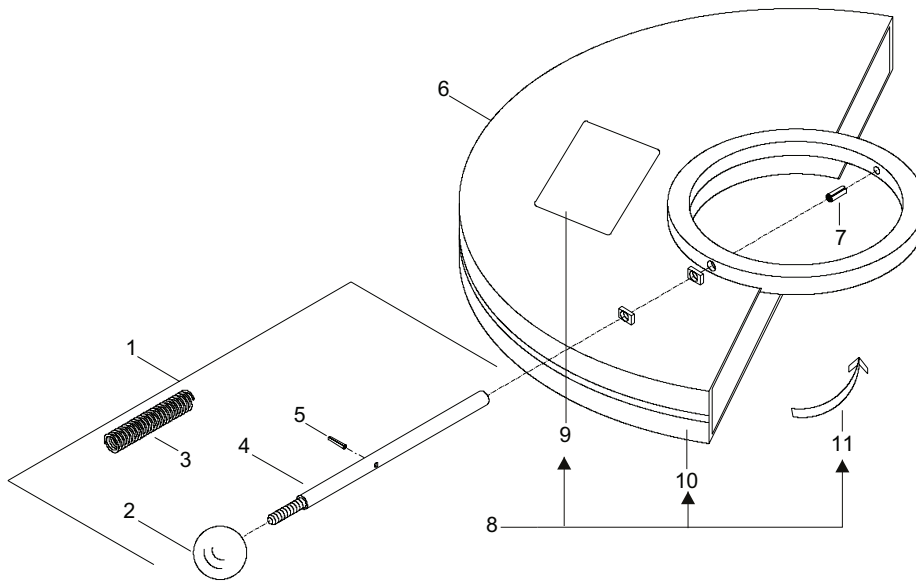


No.	Ordering No.	Quantity	Description
1	N430126	1	Screw - Pan head (M6 X 1)
2	N430125	1	Washer - Flat
3	N430124	1	Nut - Locking
4	N430123	1	Wheel collar (Outer)
5	N430122		Decal - Warning
6	C6635561	1	Wheel collar (Inner)
7	N430113	1	Ring - Mounting
8	N430130	1	Ring - Retaining (Inner)
9	T039015	1	Motor (CP 4HP Concrete Saw Motor)
10	C127944	4	Screw - Socket head cap
11	C127505	4	Washer - Lock (6mm)
12	C086065	4	Screw - Drive
13	C012058	10	Washer - Lock
14	Q2678000	2	Screw - Hex socket head (1/4-20 X 5/8)
15	S062753	4	Screw
16	Z9603561	1	Oiler complete (Includes item No 17, 18, 19, 20, 21, 22 & 23)
17	C084172	1	O-ring
18		1	Oiler
19	N430101	1	Gasket
20	N430106	1	Sight glass
21	N430104	1	Valve - Manual safety
22	N430109	1	Decal - Check oil daily
23	N430105	1	Feeder
24	C018515	2	Nut - Hex (1/4-20)
25	S000271	2	Washer - Lock
26	S009438	2	Hex - Cap screw
27	N430100	1	Guard throttle
28	C133535	1	Handle - Throttle complete
29	P072446	4	Screw - Cap
30	N430107	1	Handle

## Guard assembly for CP0044

No.	Ordering No.	Quantity	Description
	Z8288561	1	Guard assembly (Includes item Nos.1, 6, 7 & 8)
1	Z3626561	1	Locking rod complete (includes item No. 2, 3, 4 & 5)
2	—*)	1	Knob
3	—*)	1	Spring
4	—*)	1	Rod - Locking
5	—*)	1	Pin - Roll
6	—*)	1	Guard
7	—*)	1	Pin - Roll
8	Z7208561	1	Decal set complete (Includes item No. 9,10 & 11)
9	—*)	1	Decal - Danger
10	—*)	1	Decal - Rotation
11	—*)	1	Decal - Strip

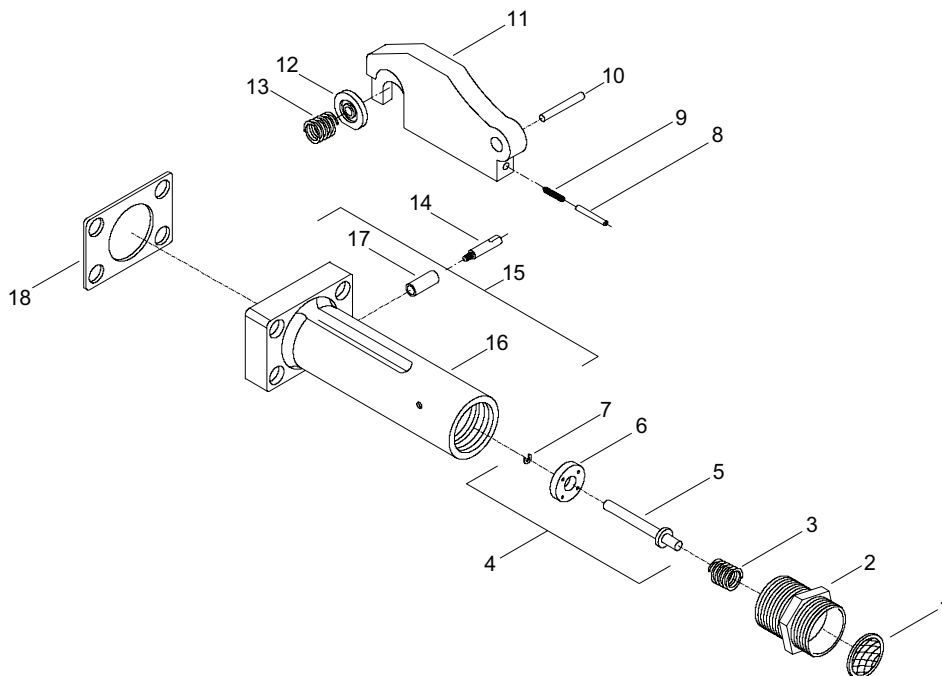
—\*) Not delivered separately



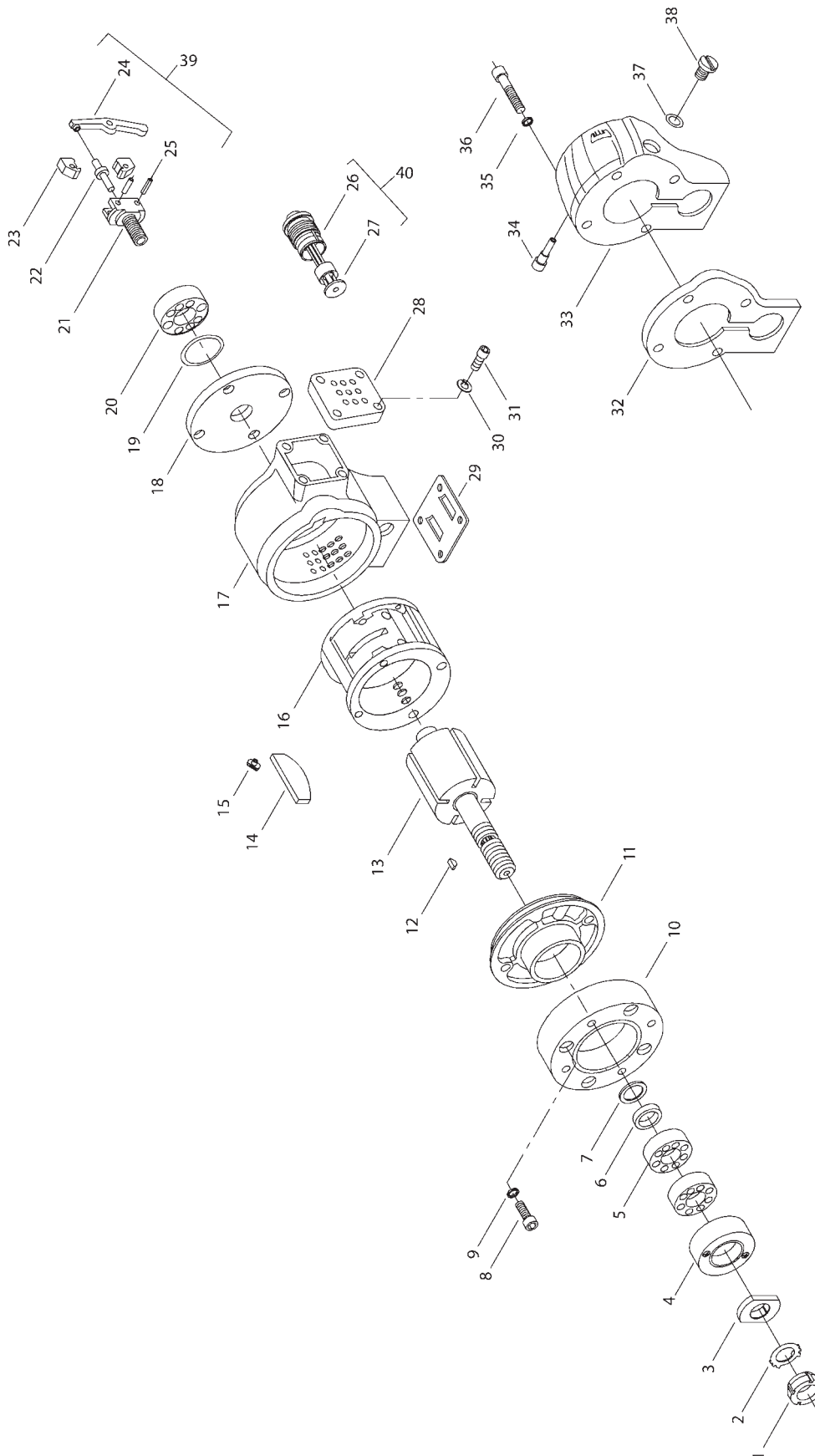
## Throttle handle for CP0044

No.	Ordering No.	Quantity	Description
1	C120618	1	Strainer - Air
2	C092292	1	Bushing - Air Inlet (1/2")
3	C120619	1	Spring - Throttle valve
4	Z9549561	1	Throttle - Valve complete (Includes item No. 5, 6 & 7)
5	—*)	1	Valve - Throttle
6	—*)	1	Seal - Throttle valve
7	—*)	1	Ring - Retaining
8	S014764	1	Pin - Rolled (1/8" diameter x 11/16" )
9	C132695	1	Spring - Roll pin
10	P072359	1	Pin - Throttle lever
11	C132694	1	Lever - Throttle
12	C133902	1	Stop - Throttle lever
13	C133903	1	Spring - Compression
14	C133904	1	Button - Lock
15	C133419		Handle - Throttle complete (Includes item No.16 & 17)
16	—*)	1	Handle - Throttle
17	C133905	1	Bushing - Lock bushing
18	C090940	1	Gasket - Handle

—\*) Not delivered separately



# CP 0044 Motor



No.	Ordering No.	Quantity	Description
1	Q4105400	1	Lock nut
2	N430002	1	Lock washer
3	N430003	1	Spacer
4	N430004	1	Spindle bearing lock nut
5	N430005	2	Ball bearing
6	N430007	1	Spacer
7	N430042	*	Shim (As needed)
8	N430008	4	Cap screw
9	N430016	4	Spring washer
10		1	Spacer ring
11	N430010	1	Lower end plate
12	N430011	1	Spindle key
13	N430012	1	Rotor
14	N430013	4	Rotor blade
15	N430014	1	Cylinder liner dowel
16	N430037	1	Cylinder liner
17		1	Cylinder housing
18	N430015	1	Upper end plate
19	N430018	1	Tension washer
20	N430019	1	Ball bearing
21		1	Governor body
22		1	Governor push pin
23		2	Governor weight
24		1	Governor lever
25		2	Governor weight pin
26		1	Governor valve cage
27		1	Governor valve
28	N430041	1	Exhaust deflector
29	N430033	1	Gasket
30	C012058	4	Lock washer
31	N430035	4	Screw
32	N430028	1	Governor housing gasket
33		1	Governor housing
34	N430032	1	Governor lever pin
35	N430016	4	Spring washer
36	N430017	4	Cap screw
37	N430030	1	Gasket for oil filter plug
38	N430031	1	Oil filter plug
	C068064	1	Plug
39	Z9164561	1	Governor complete (Includes item No. 21, 22,23,24 & 25)
40	Z9165561	1	Governor valve complete (Includes item No. 26 & 27)