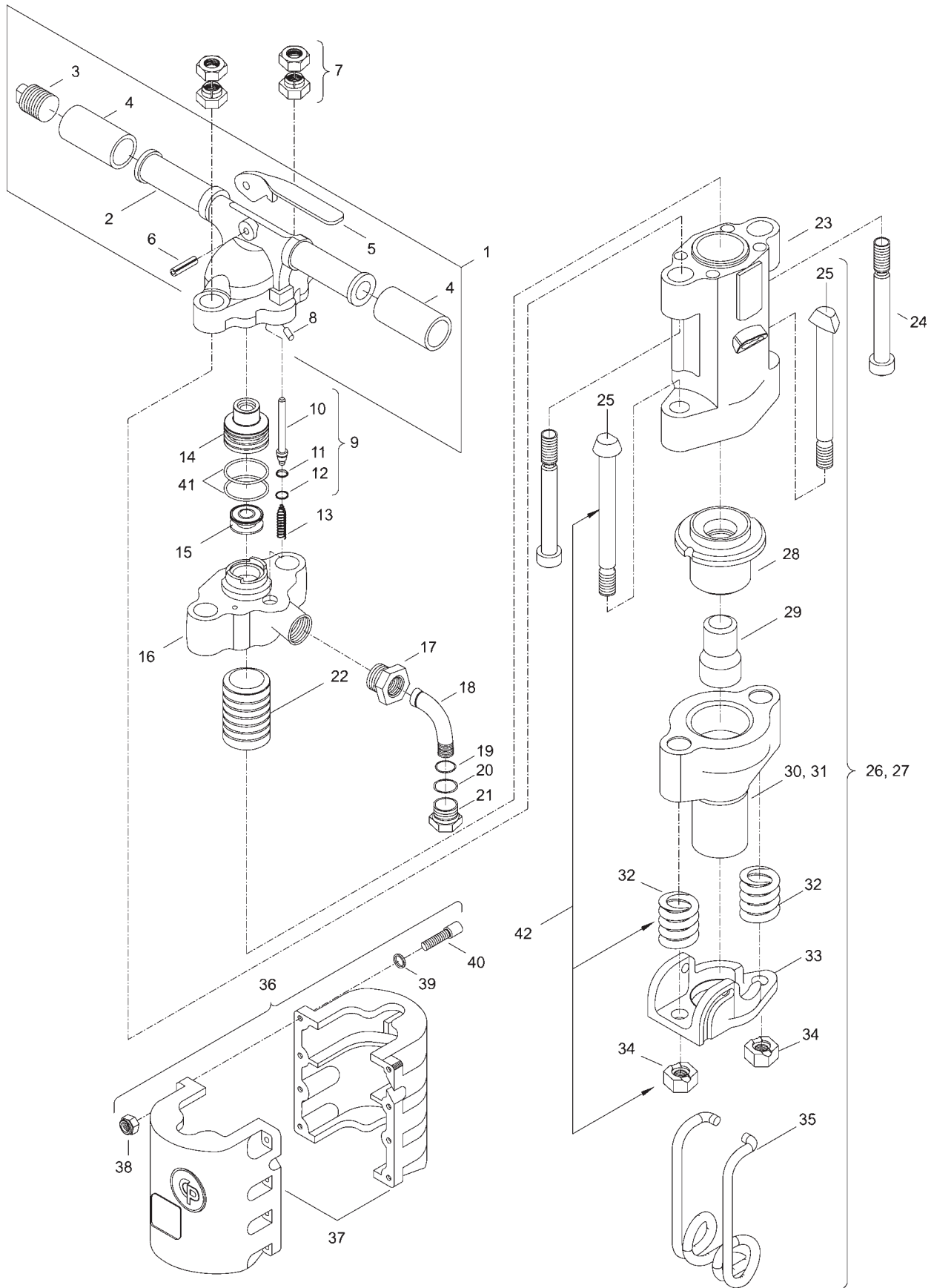


# CP 0117



No.	Ordering No.	Quantity	Description
1	Z8415441	1	Backhead complete (Includes item No.2, 3, 4, 5, 6 & 8)
2		1	Backhead
3	R000560	1	Oil plug
4	R005716	2	Backhead handle grip
5	R005712	1	Throttle lever
6	R133433	1	Throttle lever pin
7	R005689	2	Backhead bolt nut
8	R004976	1	Oil regulator plug
9	R045373	1	Throttle valve (Includes Items 10, 11 & 12)
10		1	Throttle valve
11	R098368	1	Throttle valve seat
12	R098369	1	Throttle valve retaining ring
13	R005717	1	Throttle valve spring
14	D7414441	1	Inside valve bushing
15	D7305441	1	Valve
16	R075193	1	Backhead cylinder spacer
17	F813728	1	Gooseneck adaptor
18	R085269	1	Air inlet swivel
19	R110317	1	O-ring
20	P103521	1	O-ring
21	R000530	1	Air swivel nut
22	R000040	1	Piston
23	R075185	1	Cylinder
24	R075189	2	Backhead bolt
25	R005684	2	Fronthead bolt
26	R077682	1	Spring type fronthead compete (1.1/8" Hex) (Includes item No. 25, 28, 29, 31, 32, 33, 34 & 35)
27	R077683	1	Spring type fronthead compete (1.1/4" Hex) (Includes item No. 25, 28, 29, 30, 32, 33, 34 & 35)
28	R075187	1	Anvil block bushing
29	R075186	1	Anvil block
30	R005724	1	Spring type fronthead (1.1/4" Hex)
31	R005725	1	Spring type fronthead (1.1/8" Hex)
32	R005729	2	Fronthead bolt spring
33	R005728	1	Steel retainer support
34	R005721	2	Fronthead bolt nut
35	R005727	1	Steel retainer
36	F813764	1	Muffler hood (Includes item No.37, 38, 39 & 40)
37*		1	Muffler hood
38*	Q2101000	8	Nylon insert nut
39*	C011005	16	Washer
40*	P070428	8	Socket head cap screw
41	H0364441	2	O-ring
42	Z3630441	1	Side bolt kit, includes one pair of complete bolt assembly (Item No. 25, 32 & 34)

ITEMS MARKED WITH \* ARE APPLICABLE TO CP 0117 S ONLY.