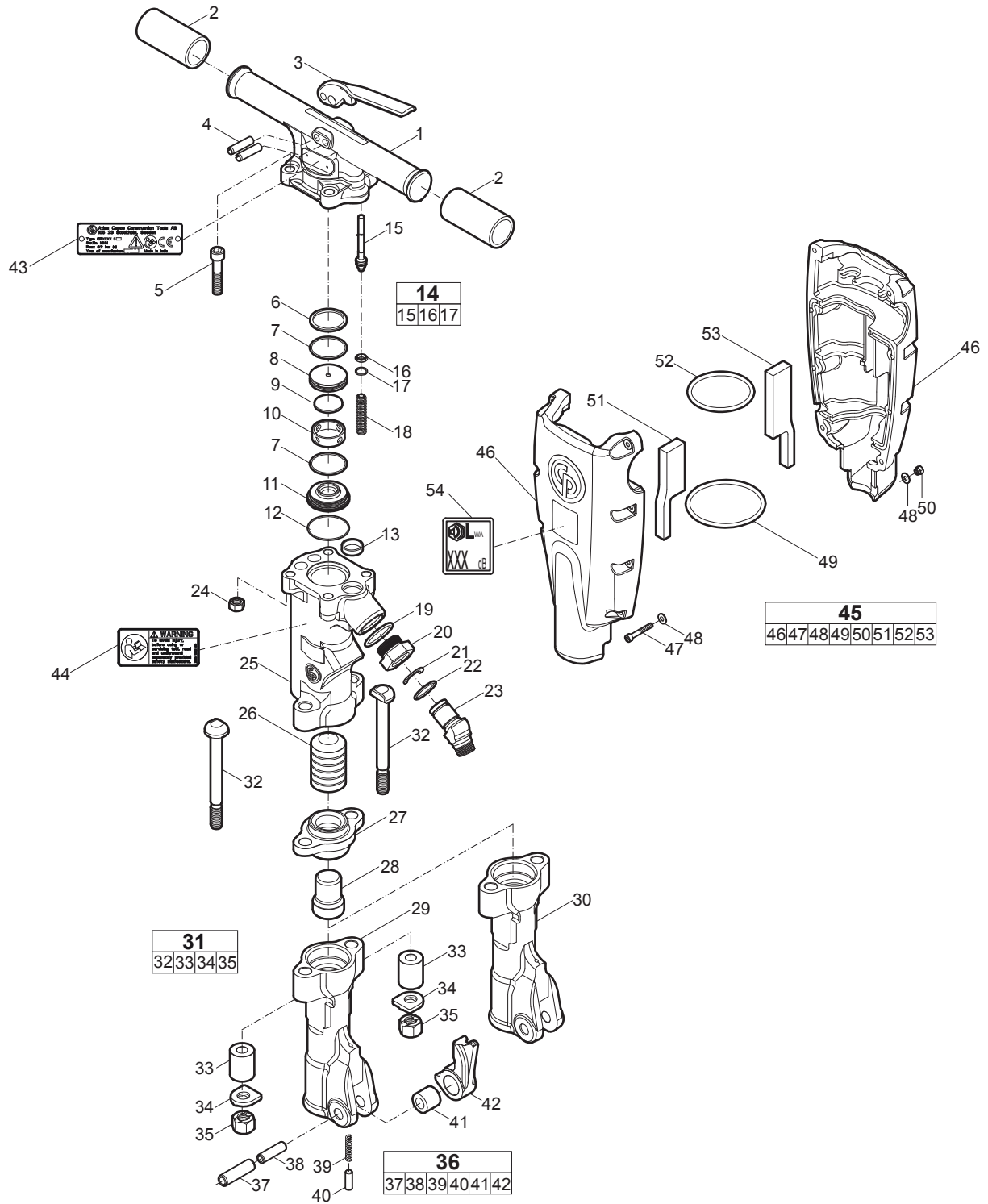


**CP 1210 S (1 1/8 x 6 1/4 in. 28 x 160 mm and 1 1/4 x 6 1/4 in. 32 x 160 mm)**



No.	Description	Remark	Quantity	Part number
1	Backhead		1	3303 0050 00
2	Rubber grip		2	F816345
3	Trigger (start and stop device)		1	F814725
4	Roll pin		2	R133433
5	Socket head cap screw	M12 x 1.75	4	0211 1407 00
6	Gasket		1	3303 0050 31
7	O-ring		2	C102642
8	Upper valve lid		1	R138096
9	Valve		1	R138094
10	Valve case		1	R138095
11	Lower valve case lid		1	3303 0050 24
12	O-ring		1	H0310447
13	Seal - cylinder		1	R110215
<b>14(15-17)</b>	<b>Throttle valve, complete</b>		1	R092894
15	Throttle valve		1	-
16	Seal - throttle valve		1	R098368
17	Ring - valve seal retaining		1	R098369
18	Spring - throttle valve		1	R005717
19	O-ring		1	R056605
20	Nut - air inlet swivel		1	3303 0050 13
21	Lock washer - swivel		1	3310 1059 00
22	O-ring - swivel		1	0663 2126 00
23	Swivel - air inlet		1	3303 0050 12
24	Nut	M12	4	3303 0050 30
25	Cylinder		1	3303 0050 29
26	Piston		1	R110212
27	Bushing - anvil block		1	3303 0050 05
28	Block - anvil		1	3303 0050 06
29	Fronthead	1½ x 6¼ in. (28 x 160 mm)	1	3303 0050 03
30	Fronthead	1¼ x 6¼ in. (32 x 160 mm)	1	3303 0050 02
<b>31(32-35)</b>	<b>Side bolt, complete</b>		1	3303 0050 45
32	Bolt - fronthead		2	R110217
33	Spring - steel		2	3303 0050 33
34	Lock - fronthead nut		2	R041073
35	Nut - fronthead bolt		2	R110218
<b>36(37-42)</b>	<b>Latch, complete</b>		1	3303 0050 43
37	Roll pin	16 DIA x 55 L	1	0108 1103 04
38	Roll pin	10 DIA x 55 L	1	0108 1395 00
39	Spring - plunger		1	R086982
40	Plunger - latch		1	R092497
41	Retainer latch bush		1	R048540
42	Retainer - latch		1	R092493
43	Data plate		1	-
44	Safety label		1	3310 1602 00
<b>45(46-53)</b>	<b>Muffler, complete</b>		1	3303 0050 42
46	Muffler		1	1212 1212 12
47	Socket head cap screw	M6 x 1 - 45L	8	0211 1253 00
48	Washer		16	F826979
49	O-ring - muffler	Bottom	1	0663 2146 00
50	Nyloc nut	M6 x 1	8	0291 1128 15

<b>No.</b>	<b>Description</b>	<b>Remark</b>	<b>Quantity</b>	<b>Part number</b>
51	Sealing pad - muffler	Left	1	3303 0050 10
52	O-ring - muffler	Top	1	0663 2143 00
53	Sealing pad - muffler	Right	1	3303 0050 11
54	Noise level label		1	-