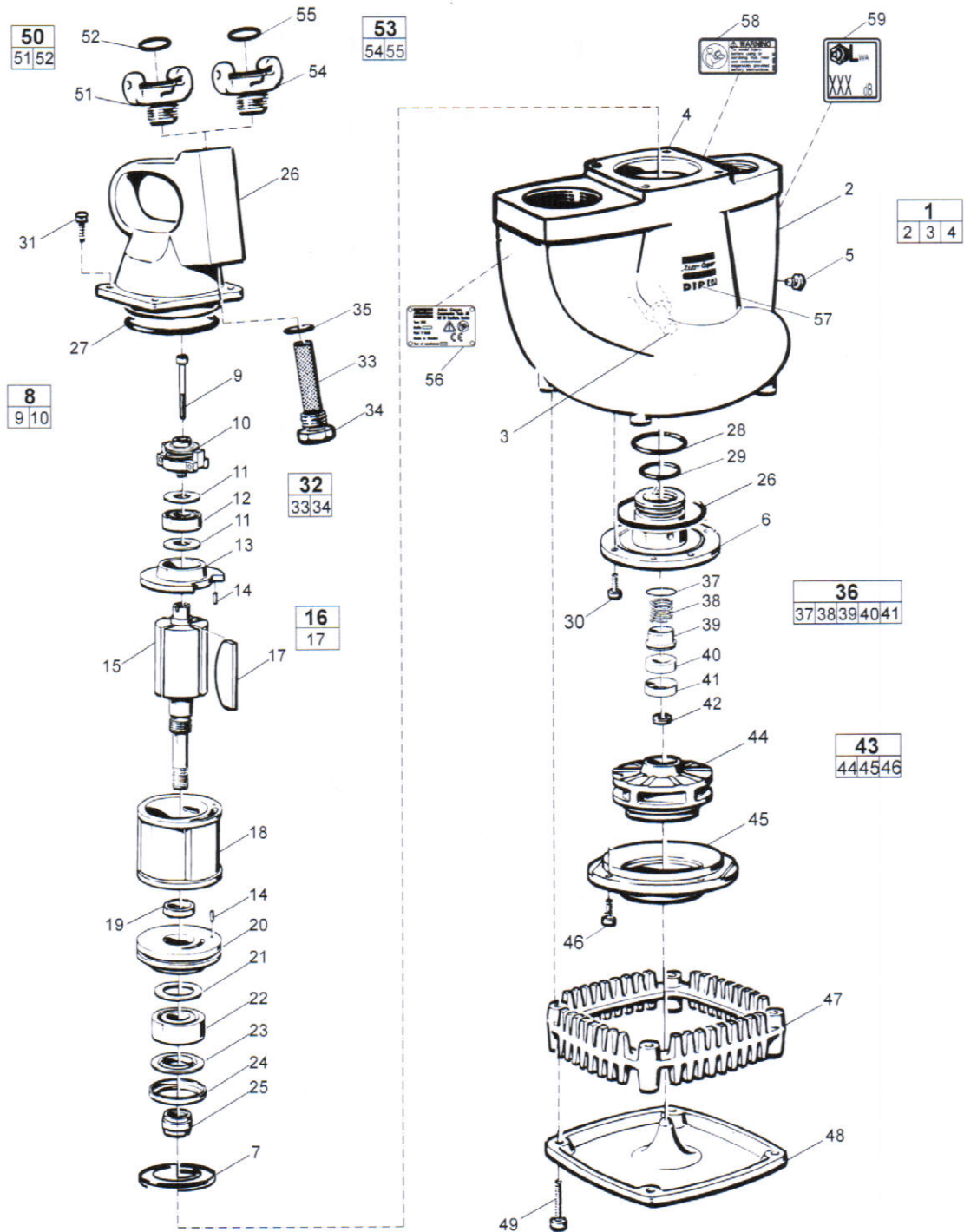


# Spare parts list



No.	Description	Remark	Quantity	Part number
<b>1(2-4)</b>	<b>Pump housing, complete</b>		1	3330 0007 80
2	Pump housing		1	-
3	Oil pipe		1	-
4	Thread insert		4	-
5	Plug	G ¼ A	1	0686 6441 00
6	Cover plate		1	3330 0008 00
7	Cup spring		1	4170 0556 00
<b>8(9-10)</b>	<b>Governor, complete</b>		1	4430 0222 81
9	Screw		1	0211 1213 00
10	Governor		1	-
11	Seal washer		2	3330 0005 00
12	Ball bearing		1	0502 2221 00
13	Upper cylinder washer		1	4430 0219 00
14	Spring pin	FRP 3 x 8 mm FRP 0.12 x 0.31 in.	2	0108 1190 00
15	Rotor		1	3330 0002 00
<b>16(17)</b>	<b>Vane, complete</b>		1	4430 0239 90
17	Vane		4	-
18	Cylinder		1	3330 0001 00
19	Spacer ring		1	4170 0557 00
20	Lower cylinder washer		1	3330 0003 00
21	Seal washer		1	3330 0004 00
22	Ball bearing		1	0504 2217 00
23	Seal washer		1	0518 1255 00
24	Washer		1	4170 0767 00
25	Nut		1	3330 0023 00
26	Handle		1	3330 0006 00
27	O-ring	Ø 84.5 x 3 mm Ø 3.33 x 0.12 in.	2	0663 6141 00
28	O-ring	Ø 49.5 x 3 mm Ø 1.95 x 0.12 in.	1	0663 6134 00
29	O-ring		1	3330 0022 00
30	Screw	M6 x 12 mm	4	0211 1244 01
31	Screw	M8 x 16 mm	4	0211 1322 01
<b>32(33-34)</b>	<b>Intake filter, complete</b>		1	3330 0050 00
33	Intake filter		1	-
34	Plug		1	-
35	O-ring	Ø 17.3 x 2.4 mm Ø 0.68 x 0.09 in.	1	0663 2124 00
<b>36(37-41)</b>	<b>Mechanical seal, complete</b>		1	3330 0017 80
37	O-ring		1	3330 0024 00
38	Cylindrical spring		1	-
39	Stationary ring		1	-
40	Rotation ring		1	-
41	Packing		1	3330 0019 00
42	Washer		1	3330 0025 00
<b>43(44-46)</b>	<b>Impeller, complete</b>		1	3330 0009 90
44	Impeller		1	3330 0009 00
45	Inlet ring		1	3330 0012 00
46	Screw	M6 x 12 mm	4	0211 1244 01
47	Strainer ring		1	3330 0015 00
48	Bottom		1	3330 0016 00
49	Screw	M8 x 50 mm	4	0211 1330 00

## Spare parts list

DIP 25, 25-US, 35, 35-US, 65, 65-US

No.	Description	Remark	Quantity	Part number
<b>50(51-52)</b>	<b>Claw coupling, complete</b>	Only for DIP 25	1	9000 0302 00
51	Claw coupling		1	-
52	Gasket		1	9000 0000 00
<b>53(54-55)</b>	<b>Claw coupling, complete</b>	G¾ only for DIP 25-US	1	9001 0005 19
54	Claw coupling		1	-
55	Gasket		1	9001 0005 15
56	Data plate		1	-
57	Product label		1	-
58	Safety label		1	3310 1602 00
59	Noise level label		1	-

No.	Description	Remark	Quantity	Part number
<b>1(2-4)</b>	<b>Pump housing, complete</b>		1	3330 0007 80
2	Pump housing		1	-
3	Oil pipe		1	-
4	Thread insert		4	-
5	Plug	G 1/8 A	1	0686 6441 00
6	Cover plate		1	3330 0008 00
7	Cup spring		1	4170 0556 00
<b>8(9-10)</b>	<b>Governor, complete</b>		1	4430 0222 81
9	Screw	M5 x 40 mm	1	0211 1213 00
10	Governor		1	-
11	Seal washer		2	3330 0005 00
12	Ball bearing		1	0502 2221 00
13	Upper cylinder washer		1	4430 0219 00
14	Spring pin	FRP 3 x 8 mm FRP 0.12 x 0.31 in.	2	0108 1190 00
15	Rotor		1	3330 0002 00
<b>16(17)</b>	<b>Vane, complete</b>		1	4430 0239 90
17	Vane		4	-
18	Cylinder		1	3330 0001 00
19	Spacer ring		1	4170 0557 00
20	Lower cylinder washer		1	3330 0003 00
21	Seal washer		1	3330 0004 00
22	Ball bearing		1	0504 2217 00
23	Seal washer		1	0518 1255 00
24	Washer		1	4170 0767 00
25	Nut		1	3330 0023 00
26	Handle		1	3330 0006 00
27	O-ring	Ø 84.5 x 3 mm Ø 3.33 x 0.12 in.	2	0663 6141 00
28	O-ring	Ø 49.5 x 3 mm Ø 1.95 x 0.12 in.	1	0663 6134 00
29	O-ring		1	3330 0022 00
30	Screw	M6 x 12 mm	4	0211 1244 01
31	Screw	M8 x 16 mm	4	0211 1322 01
<b>32(33-34)</b>	<b>Intake filter, complete</b>		1	3330 0050 00
33	Intake filter		1	-
34	Plug		1	-
35	O-ring	Ø 17.3 x 2.4 mm Ø 0.68 x 0.09 in.	1	0663 2124 00
<b>36(37-41)</b>	<b>Mechanical seal, complete</b>		1	3330 0017 80
37	O-ring		1	3330 0024 00
38	Cylindrical spring		1	-
39	Stationary ring		1	-
40	Rotation ring		1	-
41	Packing		1	3330 0019 00
42	Washer		1	3330 0025 00
<b>43(44-46)</b>	<b>Impeller, complete</b>		1	3330 0010 90
44	Impeller		1	3330 0010 00
45	Inlet ring		1	3330 0013 00
46	Screw	M6 x 12 mm	4	0211 1244 01
47	Strainer ring		1	3330 0015 00
48	Bottom		1	3330 0016 00
49	Screw	M8 x 50 mm	4	0211 1330 00

No.	Description	Remark	Quantity	Part number
50(51-52)	<b>Claw coupling, complete</b>	Only for DIP 35	1	9000 0302 00
51	Claw coupling		1	-
52	Gasket		1	9000 0000 00
53(54-55)	<b>Claw coupling, complete</b>	G¾ only for DIP 35-US	1	9001 0005 19
54	Claw coupling		1	-
55	Gasket		1	9001 0005 15
56	Data plate		1	-
57	Product label		1	-
58	Safety label		1	3310 1602 00
59	Noise level label		1	-

No.	Description	Remark	Quantity	Part number
<b>1(2-4)</b>	<b>Pump housing, complete</b>		1	3330 0007 80
2	Pump housing		1	-
3	Oil pipe		1	-
4	Thread insert		4	-
5	Plug	G 1/8 A	1	0686 6441 00
6	Cover plate		1	3330 0008 00
7	Cup spring		1	4170 0556 00
<b>8(9-10)</b>	<b>Governor, complete</b>		1	4430 0222 81
9	Screw	M5 x 40 mm	1	0211 1213 00
10	Governor		1	-
11	Seal washer		2	3330 0005 00
12	Ball bearing		1	0502 2221 00
13	Upper cylinder washer		1	4430 0219 00
14	Spring pin	FRP 3 x 8 mm FRP 0.12 x 0.31 in.	2	0108 1190 00
15	Rotor		1	3330 0002 00
<b>16(17)</b>	<b>Vane, complete</b>		1	4430 0239 90
17	Vane		4	-
18	Cylinder		1	3330 0001 00
19	Spacer ring		1	4170 0557 00
20	Lower cylinder washer		1	3330 0003 00
21	Seal washer		1	3330 0004 00
22	Ball bearing		1	0504 2217 00
23	Seal washer		1	0518 1255 00
24	Washer		1	4170 0767 00
25	Nut		1	3330 0023 00
26	Handle		1	3330 0006 00
27	O-ring	Ø 84.5 x 3 mm Ø 3.33 x 0.12 in.	2	0663 6141 00
28	O-ring	Ø 49.5 x 3 mm Ø 1.95 x 0.12 in.	1	0663 6134 00
29	O-ring		1	3330 0022 00
30	Screw	M6 x 12 mm	4	0211 1244 01
31	Screw	M8 x 16 mm	4	0211 1322 01
<b>32(33-34)</b>	<b>Intake filter, complete</b>		1	3330 0050 00
33	Intake filter		1	-
34	Plug		1	-
35	O-ring	Ø 17.3 x 2.4 mm Ø 0.68 x 0.09 in.	1	0663 2124 00
<b>36(37-41)</b>	<b>Mechanical seal, complete</b>		1	3330 0017 80
37	O-ring		1	3330 0024 00
38	Cylindrical spring		1	-
39	Stationary ring		1	-
40	Rotation ring		1	-
41	Packing		1	3330 0019 00
42	Washer		1	3330 0025 00
<b>43(44-46)</b>	<b>Impeller, complete</b>		1	3330 0011 90
44	Impeller		1	3330 0011 00
45	Inlet ring		1	3330 0014 00
46	Screw	M6 x 12 mm	4	0211 1244 01
47	Strainer ring		1	3330 0015 00
48	Bottom		1	3330 0016 00
49	Screw	M8 x 50 mm	4	0211 1330 00

## Spare parts list

DIP 25, 25-US, 35, 35-US, 65, 65-US

No.	Description	Remark	Quantity	Part number
<b>50(51-52)</b>	<b>Claw coupling, complete</b>	Only for DIP 65	1	9000 0302 00
51	Claw coupling		1	-
52	Gasket		1	9000 0000 00
<b>53(54-55)</b>	<b>Claw coupling, complete</b>	G¾ only for DIP 65-US	1	9001 0005 19
54	Claw coupling		1	-
55	Gasket		1	9001 0005 15
56	Data plate		1	-
57	Product label		1	-
58	Safety label		1	3310 1602 00
59	Noise level label		1	-

## Accessories

### Lubricator

Description	Remark	Quantity	Part number
Lubricator CLG 30, European type claw couplings	For mineral and synthetic oil	1	8202 5102 39
Lubricator CLG 30, US type claw couplings	For mineral and synthetic oil	1	8202 5102 40