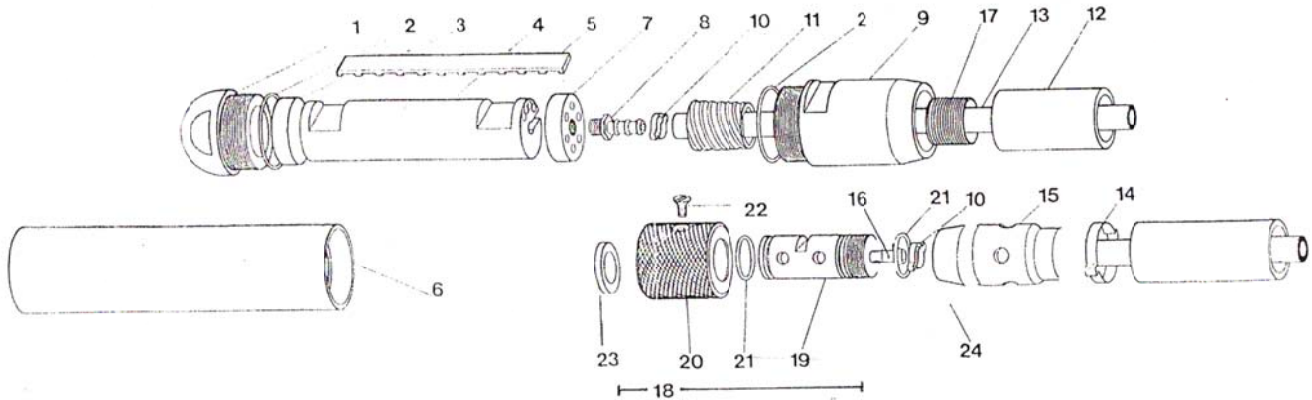


VL Pneumatic Vibrators

Parts list



REF:	VL25	VL35	VL45	VL55	VL75	VL87	Description
1	2609	2619	3806	1463	3551	1602	NOSE PIECE
2	0305	0311	0015	2126	2330	1600	O' RING
3			2629	2635	2650	7102	FRONT PLATE
4	2612	82622	82630	2636	2651	7103	ROTOR
5	2613	82623	82631	2637	2653	7105	VANE
6	2614	2624	82632	2638	2654	7104	BODY
7	82615	82625	2633	2639	2655	7100	REAR PLATE
8		2626	2626	10221	10219	7690	HOSE STEM
9	82617	2627	7701	2906	2907	1601	REAR BODY
10	3723	3520	3520	1587	1612	1612	HOSE CLIP
11	1778	12623	1730	1582	1604	1604	SLEEVE
12	1784	2021	5567	1584	541	541	OUTER HOSE
13	1785	7788	7788A	1583	540	540	INNER HOSE
14	0120	1392	0190	1581	1515	1515	OUTER CLIP
15	3503	10255	3505	10223	10222	10222	HOSE ADPATOR
16	0445	10588	10588A	10221	10219	10219	HOSE STEM
17				1478	1479	1479	SPRING
18	3500	3500	3500	3500	3500	3500	HANDLE ASSY
19	3501	3501	3501	3501	3501	3501	SHAFT
20	3502	3502	3502	3502	3502	3502	TWIST GRIP
21	0313	0313	0313	0313	0313	0313	O' RING
22	3527	3527	3527	3527	3527	3527	SCREW
24	10218	10218	10218	10218	10218	10218	ADAPTOR